

# ZIGBEE UNIVERSAL DIMMER D1(-R)

## REFERENCE MANUAL



## 1. OVERVIEW

Thank you for purchasing the ubisys dimmer D1, a universal ZigBee AC dimmer with integrated smart meter.

You have decided for a high-quality product with first-rate support!

This reference manual provides operating and maintenance instructions, interface specifications, command references and more. It is primarily intended for system integrators, not end-users.

An installation guide specific to your region is available as a separate document and is included in printed form in the product package.

If you have any questions or need additional support, please visit the support pages that best fit your background:

If you are a consumer (private household) or installer, please visit the Smart Home support pages at <http://www.ubisys.de/en/smarthome/support.html> for contact details.

As a commercial customer, please visit the Engineering support pages at <http://www.ubisys.de/en/engineering/support.html> for contact details.

Copyright© 2014-2021 ubisys technologies GmbH, Düsseldorf, Germany.  
All rights reserved.

## 2. CONTENTS

1. Overview	2
2. Contents	3
3. Features	5
4. Installation	7
4.1. Mains Powered Operation	7
4.2. Low-Voltage Operation (Maintenance and Early System Integration Stages only)	7
5. Initial Device Start-up	8
6. Man-Machine Interface (MMI)	9
6.1. Power-Cycle Sequencing Factory Reset	10
6.1.1. Preconfiguring the Dimming Mode to Leading Edge or Trailing Edge	11
7. ZigBee Interface	12
7.1. Application Endpoint #0 – ZigBee Device Object	15
7.2. Application Endpoint #1 – Dimmable Light	16
7.2.1. Basic Cluster (Server)	16
7.2.2. Identify Cluster (Server)	16
7.2.3. Groups Cluster (Server)	17
7.2.4. Scenes Cluster (Server)	17
7.2.5. On/off Cluster (Server)	18
7.2.6. Level Control Cluster (Server)	19
7.2.7. Ballast Configuration Cluster (Server)	20
7.2.8. Dimmer Setup Cluster (Server)	21
7.3. Application Endpoint #2 – Primary Dimmer Switch	24
7.3.1. Basic Cluster (Server)	24
7.3.2. Identify Cluster (Server)	24
7.3.3. Scenes Cluster (Client)	24
7.3.4. On/off Cluster (Client)	25
7.3.5. Level Control Cluster (Client)	25
7.4. Application Endpoint #3 – Secondary Dimmer Switch	26
7.4.1. Basic Cluster (Server)	26
7.4.2. Identify Cluster (Server)	26
7.4.3. Scenes Cluster (Client)	26
7.4.4. On/off Cluster (Client)	27

7.4.5.	Level Control Cluster (Client)	27
7.5.	Application Endpoint #4 – Metering	28
7.5.1.	Basic Cluster (Server)	28
7.5.2.	Metering Cluster (Server)	28
7.5.3.	Electrical Measurement Cluster (Server)	28
7.6.	Application Endpoint #232 – Device Management	30
7.6.1.	Basic Cluster (Server)	30
7.6.2.	Identify Cluster (Client)	31
7.6.3.	Commissioning Cluster (Server)	31
7.6.4.	Over-the-Air Upgrade Cluster (Client)	31
7.6.5.	Device Setup Cluster (Server)	32
7.7.	Application Endpoint #242 – ZigBee Green Power	37
7.7.1.	Green Power Cluster (Server)	37
7.7.2.	Green Power Cluster (Client)	40
8.	Physical Dimensions	42
9.	Ordering Information	43
10.	General Terms & Conditions of Business	44
11.	Declaration of Conformity	45
12.	Revision History	46
13.	Contact	48

### 3. FEATURES

- ZigBee 3.0 Certified Universal AC dimmer with integrated smart meter and ZigBee router functionality
- Controls dimmable lights at 230V~, up to 500VA with soft on and soft off (fading) for extended bulb life
- Two configurable 230V~ inputs, one pre-configured for operating the output locally. Individually reconfigurable as on/off, level control, and scene selector switches for use with momentary or stationary switches
- ZigBee Green Power 2015 Combined Device including Proxy and Sink functionality, support On/off, Level Control and Generic Switches
- Local control even works when the device is not joined to a network (not commissioned yet)
- Supports groups, scenes, bindings, and reporting
- Reliable, unattended, maintenance-free operation;
- D1 designed for in-wall flush-mounting, D1-R designed for DIN rail mounting (fuse cabinet)
- Employs solid state switching for highest efficiency and durability
- Over-load and over-current protected (not short circuit protected)
- Configurable for leading and trailing edge (forward and reverse phase control) with automatic selection
- Supports incandescent bulbs, high-voltage halogen, dimmable LED, dimmable CFL, low-voltage halogen with wire-wound transformer and low-voltage halogen with electronic transformer
- Made in Germany using high-quality, enduring parts for many years of life expectancy
- Low power dissipation: 0.3W
- On-board MCU: Advanced 32-bit ARM micro-controller running at 48MHz with 64KB SRAM
- On-board PHY: Texas Instruments CC2520, 5dBm transmit power, -98dBm receiver sensitivity
- On-board inverted-F antenna
- Leverages ubisys IEEE 802.15.4 MAC and ZigBee stack for best-in-class reliability and performance
- Supports all channels in the 2.4 GHz band, i.e. channels 11-26 as per IEEE 802.15.4:  
Primary = { 11, 15, 20, 25 }; Secondary = { 12, 13, 14, 16, 17, 18, 19, 21, 22, 23, 24, 26 }
- Supports joining centralized and distributed security networks as router
- Supports forming simple centralized security networks as Coordinator and Trust Center
- Supports forming distributed security networks as router
- Three pre-configured Trust Center Link-Keys for joining:
  - o Global Default Trust Center Link-Key ("ZigBeeAlliance09")
  - o ZigBee 3.0 Global Distributed Security Link-Key<sup>1</sup>
  - o Device-individual link-key derived from installation code – also printed as text and QR barcode
- Extended neighbour table with up to 78 entries for routers and end-devices - more than three times the capacity required by the standard (25)
- Extended routing table with up to 96 entries for ad hoc and many-to-one routes - nearly ten times the capacity required by the standard (10)
- Extended buffering for sleeping end-devices with up to 24 buffers - 24 times the capacity required by the standard (1)
- Extended APS duplicate rejection table with up to 64 slots - 64 times the capacity required by the standard (1)
- Extensive transmit and receive queues for optimum through-put and minimum packet drop rate
- Reliable and scalable network-wide broadcasts featuring passive acknowledgments
- Reliable packet forwarding with automatic network-level retries
- Very sophisticated routing algorithm for reliable ad hoc routing – avoids routing loops even in case of concurrent route requests with overlapping source/destination
- Firmware upgradable over-the-air during normal operation using ZigBee OTA Upgrade Cluster
- Man-Machine-Interface: A push-button and a LED for network steering, factory reset etc.
- Flame retardant housing (V-0); black, RAL 9005

<sup>1</sup> Since application firmware 1.10. Prior, pre-certification key (D0:...:DF)



### 4.1. Mains Powered Operation

Please refer to the hardware installation guide, which was included in the product package. It provides detailed installation instructions.

### 4.2. Low-Voltage Operation (Maintenance and Early System Integration Stages only)

Instead of applying dangerous mains voltage to the dimmer D1, you may connect a low-voltage DC source (e.g. 12V=, 24V=, 48V=) to the supply lines of D1. Its built-in universal power supply is able to operate from both kinds of supplies, direct and alternating current. This can be useful during maintenance or early stages of system integration. In this mode, the ZigBee interface is operational and you can run OTA firmware upgrades, for example. However, the inputs and outputs are non-operational and attempting to control the output can result in a reboot, because the device detects a malfunction.

For DC operation (laboratory use), connect the DC ground (0V, "minus", negative) of your power supply to the phase input of D1 (marked "L", brown) and the DC supply voltage (12...48VDC, "plus", positive) to the neutral input of D1 (marked "N", blue). Once powered, you should observe the normal device start-up behaviour (the green LED will flash a few times).

If you are not using a safe low-voltage power-supply, utilizing the services of a professional installer/electrician is imperative.

## 5. INITIAL DEVICE START-UP

The device will search for an open ZigBee network to join when you first apply power to it.

Open the ZigBee network for joining and then power-up the device.

D1 will blink quickly to indicate a search in progress. Once a search cycle is complete it will either blink five times slowly to indicate it has joined a network, or blink three times quickly to indicate a joining failure – for example no network found, not permitted onto the network, etc. It will continue to search for a network in case of failure.

When the dimmer joins a new network it blinks once, i.e. turns the output on to 100% for half a second, then off for half a second.<sup>2</sup>

Subsequently, when the device is power-cycled, it will blink five times slowly to indicate it is operating as a router on the network, ten times slowly to indicate that it is operating as a coordinator and trust center or blink quickly to indicate it is searching for a network to join. When commissioned, the router's LED will remain off after the five/ten blink cycles during normal operation. Afterwards, it will turn on only for as long as it is permitting other devices to join the network.

After reboot, if the device is properly commissioned, it resumes operation doing a “silent rejoin”, i.e. it does not broadcast a device announcement in this case. After joining a network, the device will prolong the joining window by three minutes via a fresh ZDO permit joining request<sup>3</sup>.

Notice: When the device is power-cycled, it restarts load type detection the first time the load is turned on. Therefore, you won't see the usual soft on/off fading and dimming, i.e. setting an intermediary level will result in a “full on” for a few instants until the load type has been detected. If the dimming mode is pre-set to either leading or trailing edge no such load type detection occurs.

The device may turn on the load to a specific dimming level automatically after power is applied, based on the settings of the StartupOnOff and StartupLevel attributes<sup>4</sup>. The default behaviour is to return to the state prior to cutting power to the device.

---

<sup>2</sup> Since application firmware 1.12

<sup>3</sup> Stretching the joining duration is done in products with ubisys ZigBee Stack version 1.48 or above.

<sup>4</sup> Since application firmware 1.07. Prior, the output would always be off after power-up.



D1 offers a push-button behind a tiny hole in the front-face of the device, as well as a LED right next to it<sup>5</sup>. This man-machine interface provides access to a menu. In addition, it provides a handy shortcut to factory reset the device<sup>6</sup>.

**To factory reset the device, keep the button pressed for approximately 10 seconds until the LED starts to flash.** This is equivalent to selecting menu item #5.

Notice that the device also supports a power-cycle sequencing factory reset as detailed in section 6.1.

To enter the menu, press and hold the push-button for more than a second until you see three short flashes followed by a sequence of one blink, pause, one blink, pause, etc. This indicates that you have successfully entered the menu. With each short button press (less than a second), you advance through the menu. For example, pressing the button once brings you to the second menu item, which D1 indicates by two blinks, pause, two blinks pause, etc. Once you have reached the menu item that you want to run, press and hold the button for more than a second to execute the selected item. The exact meaning of each menu item depends on the particular device and may vary from firmware version to firmware version.

This is the menu for Universal Dimmer D1 running firmware version 1.05 and above<sup>7</sup>:

Menu Item #	Operation
1	<b>ZigBee Commissioning: Network Steering</b> While in this mode a single press on the button instigates ZigBee Network Steering ("EZ-mode"). If the device is on a network it will open the network for new devices for three minutes, otherwise it will attempt to join an open network. If the network is already open, the device will close the network instead such that repetitive presses toggle the network permit joining state. The LED is on, when the network is open for new devices, and off otherwise.
2	<b>ZigBee Commissioning: Finding &amp; Binding</b> Instigates the ZigBee Finding & Binding procedure ("EZ-mode") on an initiator or target endpoint. Target endpoints will enter identify mode for three minutes. Initiator endpoints will query targets and create suitable bindings to these targets. After leaving the menu in this mode, the first button press starts the selection of the endpoint and each subsequent press (within half a second) increments the endpoint number. Once the desired endpoint is reached, wait for the LED to blink the selected number of times. Then, press a single time to accept the selection or wait for three seconds to cancel the command. The LED will blink one time to confirm an affirmative choice, or two times to indicate the request has been cancelled.
3	<b>ZigBee Commissioning: Clear Bindings</b> Clears bindings on an initiator endpoint. Select this menu item and leave menu mode. Afterwards the device expects the selection of an initiator endpoint. The first button press starts the selection of the endpoint and each subsequent press (within half a second) increments the endpoint number. Once the desired endpoint is reached, wait for the LED to blink the selected number of times. Then, press a single time to accept the selection or wait for three seconds to cancel the command. The LED will blink one time to confirm an affirmative choice, or two times to indicate the request has been cancelled. This mode is active for one round only. Afterwards the device reverts to mode #1.
4	<b>ZigBee Commissioning: Set Device Role and Factory Reset</b> Selects the ZigBee device role for this device on the network, resets the remaining settings to factory defaults and restarts the device. Select this menu item and leave menu mode. Afterwards the device expects the selection of an option. The first button press starts the selection of the option and each

<sup>5</sup> The high-voltage inputs of D1/D1-R do not count as an MMI feature.

<sup>6</sup> The 10-second-press factory reset (equivalent to menu item #5) is available since firmware version 1.06.

<sup>7</sup> Notice: Prior versions have different menu items. Only the factory reset command (menu item #5) is identical across all released versions of the firmware.

---

	subsequent press (within half a second) increments the option number. Once the desired option is reached, wait for the LED to blink the selected number of times. Then, press a single time to accept the selection or wait for three seconds to cancel the command. The LED will blink one time to confirm an affirmative choice, or two times to indicate the request has been cancelled. The following options are available: Option #1: Join an existing ZigBee network as router Option #2: Form a new distributed security network as the first router Option #3: Form a new centralized security network as the coordinator and trust center
5	<b>Factory Reset</b> Put the device into the same state as it was when it left the factory, then reboot. The only exception is the outgoing network security frame counter, which is preserved across factory resets. The device will broadcast a network leave indication. <sup>8</sup>
6	<b>ZigBee Commissioning: Advanced Commands</b> Provides a number of advanced ZigBee commissioning command options. Select this menu item and leave menu mode. Afterwards the device expects the selection of an option. The first button press starts the selection of the option and each subsequent press (within half a second) increments the option number. Once the desired option is reached, wait for the LED to blink the selected number of times. Then, press a single time to accept the selection or wait for three seconds to cancel the command. The LED will blink one time to confirm an affirmative choice, or two times to indicate the request has been cancelled. The following options are available: Option #1: Perform a simple reset (reboot), then continue operating seamlessly (silent re-join) Option #2: Perform a simple reset (reboot), then re-join the network Option #3: Perform a full factory reset, including security frame counters and preserved settings
7	Reserved for internal use. Do not leave the menu in this mode.

---

## 6.1. Power-Cycle Sequencing Factory Reset

It is possible to instigate a factory reset using a special power-cycle sequence<sup>9</sup>. This is equivalent to selecting menu item #5, with the advantage that you need no access to the device itself (only to its power supply).

1. Power the device for at least four seconds.
2. Interrupt the power supply for at least a second.
3. Reapply power for less than two seconds but more than half a second.  
Notice that at the end of this cycle, the device is off and should remain off for at least a second.
4. Repeat the previous step two more times, for a total of three short power cycles.
5. Apply power to the device and leave it powered on.

The device will now factory reset and reboot.

After above sequence, the dimmer will flash the connected light three times to indicate the factory reset sequence is in progress<sup>10</sup>. This is the default reset sequence, equivalent to selecting menu item #5 as described above, or keeping the menu button pressed for more than 10 seconds, or removing the device from the network using a leave request.

---

<sup>8</sup> Since application firmware 1.07. Previously, the factory reset would result in a silent leave.

<sup>9</sup> Since application firmware 1.11

<sup>10</sup> Since application firmware 1.12

### 6.1.1. Preconfiguring the Dimming Mode to Leading Edge or Trailing Edge

The default factory reset will not<sup>11</sup> revert the dimming mode to its factory fresh setting – only a full factory reset will. It is possible to preconfigure the dimming mode to leading or trailing edge by using a slightly different power-cycle sequence<sup>10</sup>. In addition, OEM customers may order products pre-configured for the dimming mode of their choice.

#### Configuring the Dimmer to Autodetect the Appropriate Dimming Mode

To change the dimming mode automatically detect the dimming mode, follow the same steps as in section 6.1 above, but replace step 4 as follows<sup>12</sup>:

4. Repeat the previous step **three** more times, for a total of **four** short power cycles.

The connected light will flash four times to confirm this choice, factory reset and reboot. The mode attribute is set to “0” (c.f. section 7.2.8.3).

#### Forcing the Dimmer to Leading Edge = Forward Phase Control = Inductive Load (L) = “TRIAC” like

To change the dimming mode pre-set to force “forward phase control” = “leading edge”, follow the same steps as in section 6.1 above, but replace step 4 as follows<sup>13</sup>:

4. Repeat the previous step **four** more times, for a total of **five** short power cycles.

The connected light will flash five times to confirm this choice, factory reset and reboot. The mode attribute is pre-set to “1” (c.f. section 7.2.8.3).

#### Forcing the Dimmer to Trailing Edge = Reverse Phase Control = Capacitive Load (C)

To change the dimming mode pre-set to force “reverse phase control” = “trailing edge”, follow the same steps as in section 6.1 above, but replace step 4 as follows<sup>14</sup>:

4. Repeat the previous step **five** more times, for a total of **six** short power cycles.

The connected light will flash six times to confirm this choice, factory reset and reboot. The mode attribute is pre-set to “2” (c.f. section 7.2.8.3).

---

<sup>11</sup> Since application firmware 1.14. Previously, the dimming mode would be reverted to “automatic”

<sup>12</sup> Since application firmware 1.14. Previously, this sequence would preselect leading-edge mode

<sup>13</sup> Since application firmware 1.14. Previously, this sequence would preselect trailing-edge mode

<sup>14</sup> Since application firmware 1.14. Previously, this sequence was not available

## 7. ZIGBEE INTERFACE

Please refer to the following IEEE and ZigBee Alliance documents, which apply to this product:

- [R1] IEEE Standard 802 – Part 15.4: Low-Rate Wireless Personal Area Networks (LR-WPANs)
- [R2] ZigBee Specification, Revision 21, Document No. 05-3474-21
- [R3] ZigBee 2015 Layer PICS and Stack Profiles, Revision 6, Document No. 08-0006-06
- [R4] ZigBee Cluster Library Specification, Revision 5, Document No. 07-5123-05
- [R5] ZigBee Base Device Behavior Specification, Revision 13, Document No. 13-0402-13
- [R6] ZigBee PRO Green Power Feature Specification, Revision 26, Document No. 09-5499-26
- [R7] ZigBee Home Automation Public Application Profile 1.2, Revision 29, Document No. 05-3520-29
- [R8] ZigBee Smart Energy Standard 1.1b, Revision 18, Document No. 07-5356-18

### Device Anatomy

The universal dimmer D1 provides a level controllable output for a rated voltage of 230V~/50Hz and an apparent power of up 500VA, which allows utilizing it for typical use cases in EMEA countries. It combines state-of-the-art solid-state technology with advanced firmware for a unique feature set. It also provides an integrated smart meter, which is capable of measuring active power, reactive power, apparent power, voltage, current and frequency<sup>15</sup>. In addition, two high-voltage inputs are available for local control or remote control of other on/off or level control target devices or groups. Being a mains-powered device, D1(-R) also acts as a ZigBee router improving network connectivity and meshing capabilities as well as serving as a connection point (“parent”) for sleeping end-devices.

D1 and D1-R have an identical ZigBee interface. They provide eight ZigBee application endpoints:

Endpoint #	Profile	Application
0 (0x00)	0x0000: ZigBee Device Profile	ZigBee Device Object (ZDO) – standard management features
1 (0x01)	0x0104: Common Profile (HA)	Dimmable Light (0x0101). This endpoint provides control of the output via on/off and level control clusters. It supports groups and scenes, as well as reporting for on/off state and level feedback. The identify cluster allows for push-button commissioning as a target. In addition, ballast configuration cluster and ubisys' own unique AC dimmer setup cluster provide additional control over dimming.
2 (0x02)	0x0104: Common Profile (HA)	Dimmer Switch (0x0104). This endpoint is used to transmit on/off and level control commands triggered by any of the local high-voltage inputs.
3 (0x03)	0x0104: Common Profile (HA)	Dimmer Switch (0x0104). This endpoint is used to transmit on/off and level control commands triggered by any of the local high-voltage inputs.
4 (0x04)	0x0104: Common Profile (HA) <sup>16</sup>	Metering (0x0702). This endpoint provides metering and electrical measurement clusters to measure power, energy, voltage, current, and other figures.
200 (0xC8)	Private	Private. This endpoint contains a legacy private application and is provided for backwards-compatibility, only. This feature is deprecated and will be removed in a future firmware release after a grace period.
232 (0xE8)	0x0104: Common Profile (HA)	Device Management (0x0507) <sup>17</sup>
242 (0xF2)	0xA1E0: Green Power Profile	ZigBee Green Power Combined Proxy and Sink <sup>18</sup>

<sup>15</sup> More advanced features like waveform sampling, total harmonic distortion and other quality figures available upon request

<sup>16</sup> Since application version 1.04, respectively. Prior, profile ID 0x0109 (Smart Energy) was used.

<sup>17</sup> Since application version 1.04, respectively. Prior, device ID 0x0008 (Range Extender) was used.

<sup>18</sup> Since application version 1.08.



The ubisys ZigBee manufacturer ID is 0x10F2. This manufacturer code is used to identify OTA upgrade images, for accessing manufacturer-specific ZCL attributes and commands etc.

### Installation Code

This dimmer has a pre-configured link key, which is derived from the installation code printed on the back of the dimmer's housing in text format and as a two-dimensional barcode (QR code). The format specified in [R6], section 5.4.8.1.1 is used with a full 128-bit installation code + 16-bit CRC. The QR code contains additional information as illustrated in the following example:

```
ubisys2/R0/001FEE00000000FF/0F7C1CD805F91649EBA84580AA1CB432F51A/21
```

Here, "ubisys2" is the data format identifier, R0 is the model string (this is just an example, it would be "D1" or "D1-R" for this product), followed by the EUI-64, the installation code, and a checksum that covers the entire information (including model, EUI-64 and installation code), all separated by a single dash character ('/'). The check sum is an unsigned 8-bit integer, which is calculated by performing a byte-wise exclusive-or (XOR, "⊕") of the ASCII characters of the model string, the binary representation of the EUI-64 (in big endian format), and the binary representation of the install code.

For the example above, this calculation yields:

```
52 ('R') ⊕ 30 ('0') ⊕  
00 ⊕ 1F ⊕ EE ⊕ 00 ⊕ 00 ⊕ 00 ⊕ 00 ⊕ FF ⊕  
0F ⊕ 7C ⊕ 1C ⊕ D8 ⊕ 05 ⊕ F9 ⊕ 16 ⊕ 49 ⊕ EB ⊕ A8 ⊕ 45 ⊕ 80 ⊕ AA ⊕ 1C ⊕ B4 ⊕ 32 ⊕ F5 ⊕ 1A = 21
```

Notice: The data format "ubisys1" is identical to "ubisys2" except for the check sum, which is present, but invalid. If you encounter "ubisys1" labels, then do not verify the trailing check sum field.

## 7.1. Application Endpoint #0 – ZigBee Device Object

Please refer to the ZigBee Specification [R2] for details on the ZigBee Device Object (ZDO) and the protocol used for over-the-air communication, called the ZigBee Device Profile (ZDP). Notice that the ZDP is fundamentally different from typical application endpoints, which build on the ZigBee foundation framework and the ZigBee Cluster Library (ZCL).

The ubisys ZigBee dimmer D1/D1-R supports the following ZDO services:

Primitive	Description
nwk_addr_req/ nwk_addr_rsp	<b>Network address request/response</b> Translates a 64-bit IEEE address into a 16-bit network short address. Use only when really required, because this message employs a network-wide broadcast (flooding)
ieee_addr_req/ ieee_addr_rsp	<b>IEEE address request/response</b> Translates a 16-bit network short address into a 64-bit IEEE address.
node_desc_req/ node_desc_rsp	<b>Node descriptor request/response</b> Returns information such as the manufacturer ID, power supply, etc.
power_desc_req/ power_desc_rsp <sup>19</sup>	<b>Power descriptor request/response</b> Returns information such as the power source and mode.
active_ep_req/ active_ep_rsp	<b>Active endpoints request/response</b> Returns a set of available application endpoints on the device.
simple_desc_req/ simple_desc_rsp	<b>Simple descriptor request/response</b> Returns a descriptor for a certain application endpoint with a list of available services (clusters).
match_desc_req/ match_desc_rsp	<b>Match descriptor request/response</b> Searches for a certain cluster or set of clusters and returns the matching endpoints, if any.
device_annce	<b>Device announcement</b> Advertises the presence of a new device in the network.
parent_annce/ parent_annce_rsp <sup>20</sup>	<b>Parent announcement/response</b> This is part of the ZigBee 2015 end-device child management feature.
system_server_discovery_req/ system_server_discovery_rsp <sup>21</sup>	<b>System server discovery request/response</b> Provides the ability to discover system servers, in particular the network manager.
bind_req/ bind_rsp	<b>Bind request/response</b> Creates an application binding
unbind_req/ unbind_rsp	<b>Unbind request/response</b> Removes an application binding
mgmt_nwk_disc_req/ mgmt_nwk_disc_rsp <sup>22</sup>	<b>Management: Network discovery request/response</b> Instructs the device to perform a network discovery and report the results back.
mgmt_lqi_req/ mgmt_lqi_rsp	<b>Management: Neighbor table request/response</b> Returns information about neighboring devices, including the link quality, device type etc.
mgmt_rtg_req/ mgmt_rtg_rsp	<b>Management: Routing table request/response</b> Returns information about routes established on the device.
mgmt_bind_req/ mgmt_bind_rsp	<b>Management: Binding table request/response</b> Returns information about application bindings on the device.
mgmt_leave_req/ mgmt_leave_rsp	<b>Management: Leave request/response</b> Makes the device leave the network or removes one of its end-device children.
mgmt_permit_joining_req/ mgmt_permit_joining_rsp	<b>Management: Permit joining request/response</b> Opens the network for new devices to join.
mgmt_nwk_update_req/ mgmt_nwk_update_notify <sup>23</sup>	<b>Management: Network update request/response/notification</b> Performs energy scans, instigates a channel change or assigns the network manager.

<sup>19</sup> Available in ZigBee stack version 1.60 and above. Legacy ZCP requirement – do not use in applications

<sup>20</sup> Available in ZigBee stack version 1.56 and above.

<sup>21</sup> Available in ZigBee stack version 1.50 and above.

<sup>22</sup> Available in ZigBee stack version 1.61 and above.

<sup>23</sup> Available in ZigBee stack version 1.61 and above.

## 7.2. Application Endpoint #1 – Dimmable Light

Use this application endpoint to control the load output, which is marked with a wave crossed by an arrow. In case of D1, this is the red wire.

This is a Finding & Binding target endpoint.

The application endpoint exposes the following clusters:

Cluster	Direction	Description
0x0000	Inbound (Server)	<b>Basic</b> Provides basic information about the device, such as the manufacturer ID, vendor and model name, stack profile, ZCL version, production date, hardware revision etc. Allows a factory reset of attributes, without the device leaving the network.
0x0003	Inbound (Server)	<b>Identify</b> Allows to put the endpoint into identify mode. Useful for identifying/locating devices and required for Finding & Binding.
0x0004	Inbound (Server)	<b>Groups</b> Allows adding this endpoint to one or more groups. Afterwards the endpoint can be addressed using the group address. This is also a prerequisite for scenes. You may also query group membership and delete group associations.
0x0005	Inbound (Server)	<b>Scenes</b> Allows storing one or more scenes per group, where each scene consists of a pre-set on/off state value. You may either store the current values as a scene, or provide scene settings when adding a scene, or delete scenes.
0x0006	Inbound (Server)	<b>On/off</b> Provides on/off control of the dimmer output.
0x0008	Inbound (Server)	<b>Level Control</b> Provides level control of the dimmer output.
0x0301	Inbound (Server)	<b>Ballast Configuration</b> Provides a means to configure the minimum and maximum levels supported by the attached light source.
0xFC01	Inbound (Server)	<b>Dimmer Setup</b> This is a manufacturer specific cluster, which allows advanced configuration of the AC dimmer.

### 7.2.1. Basic Cluster (Server)

Please refer to section 7.6.1 for details.

### 7.2.2. Identify Cluster (Server)

In identify mode, the output relay will be toggled once every second.

Caution: Make sure the attached load can handle this switching rate or physically disconnect the load!

Attributes supported:

Attribute	Type	Description
0x0000	unsigned16	<b>IdentifyTime</b> The remaining time, in seconds, the device will be identifying itself. Notice that D1 will toggle the connected light in identify mode fully on and fully off once per second.



Cluster commands supported:

Command	Description
0x00	<b>Identify</b> Puts the device into identify mode, or terminates identify mode.
0x01	<b>Query Identify</b> Determines whether the device is currently identifying, and returns the remaining time if so.
0x40	<b>Trigger Effect<sup>24</sup></b> Instigates a visual effect.

### 7.2.3. Groups Cluster (Server)

Attributes supported:

Attribute	Type	Description
0x0000	bitmap8, read-only	<b>NameSupport</b> Always set to 0: This implementation does not support storing names for groups.

Cluster commands supported:

Command	Description
0x00	<b>Add Group</b> Adds the endpoint to a group.
0x01	<b>View Group</b> Determines whether the device belongs to a group and returns the group name, if supported.
0x02	<b>Get Group Membership</b> Returns the set of groups this endpoint belongs to.
0x03	<b>Remove Group</b> Removes this endpoint from the specified group. Also removes all scenes that refer to this group.
0x04	<b>Remove All Groups</b> Removes this endpoint from all groups. Also removes all scenes that refer to any of the existing groups.
0x05	<b>Add Group if Identifying</b> Adds this endpoint to the group, if the endpoint is identifying.

### 7.2.4. Scenes Cluster (Server)

Attributes supported:

Attribute	Type	Description
0x0000	unsigned8, read-only	<b>SceneCount</b> Holds the total number of scenes (across all groups) currently stored on the device.
0x0001	unsigned8, read-only	<b>CurrentScene</b> If the SceneValid attribute is true, this attribute, together with the CurrentGroup attribute, indicates the currently active scene.
0x0002	unsigned8, read-only	<b>CurrentGroup</b> If the SceneValid attribute is true, this attribute, together with the CurrentScene attribute, indicates the currently active scene.
0x0003	bool, read-only	<b>SceneValid</b> If true, the scene identified by CurrentGroup and CurrentScene is currently active, i.e. all device attribute values match the values in the scene field set.
0x0004	bitmap8,	<b>NameSupport</b>

<sup>24</sup> Since application version 1.07

---

read-only      Always set to 1: This implementation does support storing names for scenes.

---

Cluster commands supported:

Command	Description
0x00	<b>Add Scene</b> Adds a scene with or without a scene field set
0x01	<b>View Scene</b> Returns the scene field set, name and transition times for a scene.
0x02	<b>Remove Scene</b> Removes a scene from the scene table.
0x03	<b>Remove All Scenes</b> Removes all scenes that belong to a particular group.
0x04	<b>Store Scene</b> Stores the device's current state as a scene or updates a previously stored scene accordingly.
0x05	<b>Recall Scene</b> Reverts the device's current state using the values from the previously stored field set.
0x06	<b>Get Scene Membership</b> Returns the set of scenes (within the scope of the specified group) currently stored on the device.
0x40	<b>Enhanced Add Scene</b> Similar to Add Scene with higher transition time resolution (10ths of a second instead of once second)
0x41	<b>Enhanced View Scene</b> Similar to View Scene with higher transition time resolution (10ths of a second instead of once second)
0x42	<b>Copy Scene</b> Copies a scene in a single operation as an alternative to (Enhanced) View Scene, (Enhanced) Add Scene

### 7.2.5. On/off Cluster (Server)

Notice: This cluster uses the binding table for managing reporting targets.

Attributes supported:

Attribute	Type	Description
0x0000	bool, read-only, reportable	<b>OnOff</b> Indicates the current state of the output relay, either on = 'true' or off = 'false'.
0x4000	bool, read-only	<b>GlobalSceneControl</b> <sup>25</sup> Determines whether the next "Off with Effect" command will store the global scene.
0x4001	unsigned16, read-only	<b>OnTime</b> <sup>25</sup> Time, in tenths of a second, the device remains on, before it automatically turns off. This value is set by the "On with timed off" command. This is a 'live' down counter.
0x4002	unsigned16, read-only	<b>OffWaitTime</b> <sup>25</sup> Time, in tenths of a second, the device ignores "On with timed off" commands. This is a 'live' down counter.
0x4003	enum8, persistent	<b>StartupOnOff</b> <sup>25</sup> Determines the start-up behavior of the device after reboot. Either always turn off (0x00) or turn on (0x01) the device; or restore the previous setting (0xFF) or invert the previous setting (0x02)

Cluster commands supported:

Command	Description
---------	-------------

<sup>25</sup> Since application version 1.07

0x00	<b>Turn off</b> Turns the output off. The attached load will be disconnected from the mains.
0x01	<b>Turn on</b> Turns the output on. The attached load will be connected to the mains.
0x02	<b>Toggle</b> Turns the output off, if it was turned on or turns the output on, if it was turned off.
0x40	<b>Off with effect</b> <sup>25</sup> Turns the output off after having stored the current setting as the global scene and rejects further global scene storage requests by the “On with recall global scene” command, until the device is turned on again or the global scene has been restored.
0x41	<b>On with recall global scene</b> <sup>25</sup> Restores the global scene. Despite the name of this command, it does not always turn the device “on”; rather, it just recalls the previously stored setting.
0x42	<b>On with timed off</b> <sup>25</sup> Turns the output on and then automatically turns it off after the specified time has elapsed.

## 7.2.6. Level Control Cluster (Server)

Notice: This cluster uses the binding table for managing reporting targets.

Attributes supported:

Attribute	Type	Description
0x0000	unsigned8, read-only, reportable	<b>CurrentLevel</b> Indicates the current level of the dimmer output, where 0 = ‘off’, 254 = ‘100%’.
0x0001	unsigned16, read-only	<b>RemainingTime</b> Specifies the amount of time, in units of 0.1 seconds, required to reach the specified target level
0x000F	bitmap8, persistent	<b>Options</b> <sup>26</sup> Specifies the default command options for commands that support options; these are applied either when the option value and mask are not included in the command payload, or the mask indicates that certain default option bits apply. Factory default setting for ‘execute if off’ = ‘1’.
0x0010	unsigned16, persistent	<b>OnOffTransitionTime</b> Specifies the amount of time, in units of 0.1 seconds, which will be used during a transition to either the on or off state, when an on/off/toggle command of the on/off cluster is used to turn the light on or off
0x0011	unsigned8, persistent	<b>OnLevel</b> Specifies the level that shall be applied, when an on/toggle command causes the light to turn on. When this attribute is set to the invalid value (0xFF), the light will return to the previously active level (before it was turned off), when it is turned on again
0x4000	unsigned8, persistent	<b>StartupLevel</b> <sup>27</sup> Specifies the initial level to be applied after reboot. When this attribute is set to the invalid value (0xFF), the light will return to the previously active level (before power was cut), when it is turned on again. Otherwise the current level will be set to the value specified here subject to range limitations imposed by the ballast configuration cluster on this endpoint

Manufacturer-specific attributes supported:

Attribute	Type	Description
0x0000	unsigned8,	<b>MinimumOnLevel</b> <sup>28</sup>

<sup>26</sup> Since application version 1.07. Prior, the hard-coded default for the “execute if off” option was always ‘1’.

<sup>27</sup> Since application version 1.07. Prior, the device would always have the output turned off after reboot.

persistent	Specifies the minimum level that shall be applied, when an on/toggle command causes the light to turn on. When this attribute is set to the invalid value (0xFF) this feature is disabled and standard rules apply: The light will either return to the previously active level (before it was turned off) if the OnLevel attribute is set to the invalid value (0xFF); or to the specified value of the OnLevel attribute if this value is in the range 0x00...0xFE. Otherwise, if the MinimumOnLevel is in the range 0x00...0xFE, the light will be set to the the previously active level (before it was turned off), or the value specified here, whichever is the larger value. For example, if the previous level was 0x30 and the MinimumOnLevel was 0x40 then the light would turn on and move to level 0x40. Conversely, if the previous level was 0x50, and the MinimumOnLevel was 0x40, then the light would turn on and move to level 0x50.
------------	---

Cluster commands supported:

Command	Description
0x00	<b>Move To Level</b> Moves the current level to a certain target level within a specified transition time. Supports command options. <sup>26</sup>
0x01	<b>Move</b> Moves the level either up or down at a specified rate. Supports command options. <sup>26</sup>
0x02	<b>Step</b> Increments or decrements the level by a certain amount within a specified transition time. Supports command options. <sup>26</sup>
0x03	<b>Stop</b> Stops any level change in progress due to a move, move to level, step or recall scene command.
0x04	<b>Move To Level with on/off</b> Moves the current level to a certain target level within a specified transition time. Maintains the companion on/off cluster's OnOff attribute.
0x05	<b>Move with on/off</b> Moves the level either up or down at a specified rate. Maintains the companion on/off cluster's OnOff attribute.
0x06	<b>Step with on/off</b> Increments or decrements the level by a certain amount within a specified transition time. Maintains the companion on/off cluster's OnOff attribute.
0x07	<b>Stop</b> Stops any level change in progress due to a move, move to level, step or recall scene command.

Notice: When the device is power-cycled, it restarts load type detection the first time the load is turned on. Therefore, you won't see the usual soft on/off fading and dimming (i.e. setting an intermediary level) will result in a full on for a few instants until the load type has been detected.

### 7.2.7. Ballast Configuration Cluster (Server)

The ballast configuration cluster allows configuration of a minimum and maximum level.

Attributes supported:

Attribute	Type	Description
0x0000	unsigned8,	<b>PhysicalMinLevel</b>

<sup>26</sup> Since application version 1.147. Prior, the minimum on level was unsupported, i.e. the behavior equivalent to its value being set as the invalid value (0xFF).

	read-only	The minimum dimming level supported by the hardware. This is always 1 for D1/D1-R.
0x0001	unsigned8, read-only	<b>PhysicalMaxLevel</b> The maximum dimming level supported by the hardware. This is always 254 for D1/D1-R.
0x0002	bitmap8, read-only	<b>BallastStatus</b> The status is present, but not maintained in current firmware versions. This might be added in the future.
0x0010	unsigned8, persistent	<b>MinLevel</b> The minimum dimming level supported by the attached load. The default is 1. This can be set to a higher value to account for loads (such as CFLs), which cannot operate below a certain dimming level. Can also be used to make sure that an incandescent bulb emits visible light, such that a minimum on level is not confused with the “off” state.
0x0011	unsigned8, persistent	<b>MaxLevel</b> The maximum dimming level supported by the attached load. The default is 254. This can be set to a lower value to enforce power saving in an office or public environment, e.g. in the hospitality sector.

## 7.2.8. Dimmer Setup Cluster (Server)

This is a manufacturer specific cluster, unique to ubisys AC dimmers. It provides advanced configuration settings and status information. This cluster may be extended to support programming of different dimming curves in future releases. If you have such a requirement, please contact ubisys support.

Attributes supported:

Attribute	Type	Description
0x0000	bitmap8, read-only	<b>Capabilities</b> A number of flags identifying the dimmer’s capabilities, for example, if supports forward or reverse phase control.
0x0001	bitmap8, read-only	<b>Status</b> A number of flags, which provide insight into the dimmer’s operational status.
0x0002	bitmap8, persistent, preserved <sup>29</sup>	<b>Mode</b> Specifies the mode of operation, either automatic, forced forward or reverse phase control.

### 7.2.8.1. Capabilities Attribute

This attribute is an 8-bit bitmap (ZCL data type 0x18), and is read-only; It allows clients to query the dimming capabilities of the device.

Flag	Bit(s)	Description
Forward Phase Control	#0 (0x01)	When this bit is set, the dimmer supports AC forward phase control.
Reverse Phase Control	#1 (0x02)	When this bit is set, the dimmer supports AC reverse phase control.
RFU	#2...#4 (0x1C)	These bits are reserved for future use and must be written as 0 and ignored when read.
Reactance Discriminator	#5 (0x20)	When this bit is set, the dimmer is capable of measuring the reactance of the attached ballast good enough to distinguish inductive and capacitive loads and select the appropriate dimming technique accordingly.
Configurable Curve	#6 (0x40)	When this bit is set, the dimmer is capable of replacing the built-in, default dimming curve, with a curve that better suits the attached ballast

<sup>29</sup> Since application version 1.14, this attribute is preserved across normal factory resets; a full factory reset will restore the factory-fresh setting

Overload detection	#7 (0x80)	When this bit is set, the dimmer is capable of detecting an output overload and shutting the output off to prevent damage to the dimmer.
--------------------	-----------	--

### 7.2.8.2. Status Attribute

This attribute is an 8-bit bitmap (ZCL data type 0x18), and is read-only; It allows clients to query the operational status of the device.

Flag	Bit(s)	Description
Forward Phase Control	#0 (0x01)	When this bit is set, the dimmer is currently operating in AC forward phase control mode.
Reverse Phase Control	#1 (0x02)	When this bit is set, the dimmer is currently operating in AC reverse phase control.
Operational	#2 (0x04)	When this bit is set, the dimmer is operational, i.e. does output a potentially phase-cut voltage. Otherwise, the dimmer will only switch the output between fully on or fully off. It is set as soon as the dimmer has sufficient confidence that the appropriate dimming mode was selected.
Overload	#3 (0x08)	The output is currently turned off, because the dimmer has detected an overload.
RFU	#4...#5 (0x30)	Reserved for future use. Set to 0 when writing, ignore when reading.
Capacitive Load	#6 (0x40)	When this bit is set, the dimmer's reactance discriminator has detected a capacitive load.
Inductive Load	#7 (0x80)	When this bit is set, the dimmer's reactance discriminator has detected an inductive load.

### 7.2.8.3. Mode Attribute

This attribute is an 8-bit bitmap (ZCL data type 0x18). It is always readable and writable while the associated output is off. It retains its value across reboots (persistent storage) and normal factory resets<sup>29</sup>. Clients can configure the dimmer to operate in a specific mode of operation.

Flag	Bit(s)	Description
Phase Control	#0...#1 (0x02)	Specifies the mode of operation: 00b: Automatically select the appropriate dimming technique 01b: Always use forward phase control (leading edge, L) 02b: Always use reverse phase control (trailing edge, C/R) 11b: Reserved. Do not use.
RFU	#2...#7 (0xFC)	These bits are reserved for future use. Write as 0, ignore when reading.

**CAUTION:** Specifying an inappropriate mode for a particular load can lead to permanent damage of the dimmer or the load. For example, dimming highly inductive loads with reverse phase control (trailing edge) is likely to generate voltage spikes in excess of the rated peak voltage of 600V, which will damage the solid-state switching elements in the dimmer.

Some light bulbs, in particular certain LEDs, may require a mode that is not determined correctly by the dimmer. For example, almost all LEDs appear as capacitive loads to the dimmer and, hence, it will select reverse phase control. However, not all dimmable LED bulbs support this dimming mode. Some support only forward phase control, some support only reverse phase control, and some support both.

For example, the 4W and 7W Philips MASTERLED, require forward phase control (leading edge,

TRIAC dimmer) for intermediate dimming levels to work as expected. However, the reactance discriminator will detect a capacitive load due to the bulb's switching power supply, which it cannot distinguish from a CFL. Hence, it would incorrectly select reverse phase control as preferred dimming technique. In this case, you can force the dimmer to use forward phase control by writing the Mode attribute as 0x01.

Notice it is also possible to factory reset the device and change the dimming mode pre-set using the power-cycle sequences describe in sections and 6.1.

## 7.3. Application Endpoint #2 – Primary Dimmer Switch

This is a Finding & Binding initiator endpoint.

### 7.3.1. Basic Cluster (Server)

Please refer to section 7.6.1 for details.

### 7.3.2. Identify Cluster (Server)

Notice: The identify cluster instance on this endpoint does not provide any visual or audible feedback. It is mainly present to comply with standards requirements.

Attributes supported:

Attribute	Type	Description
0x0000	unsigned16	<b>IdentifyTime</b> The remaining time, in seconds, the device will be identifying itself. Notice that D1 currently does not provide any visual feedback in identify mode.

Cluster commands supported:

Command	Description
0x00	<b>Identify</b> Puts the device into identify mode, or terminates identify mode.
0x01	<b>Query Identify</b> Determines whether the device is currently identifying, and returns the remaining time if so.

### 7.3.3. Scenes Cluster (Client)

This cluster is available on devices running firmware version 1.04 and above.

Notice: This cluster does not use the binding table for managing command targets. Instead, recall scene command templates include the group address and scene number to recall. The device setup cluster on the Device Management endpoint can be used to configure the behavior of the cluster, i.e. which identifiers will be sent in the message body, when the input state changes. Using the device setup cluster, you can configure this endpoint either to be used with a push-button or a switch.

This cluster instance is intended for recalling scenes on the local and/or remote devices using the local inputs and is not bound when factory fresh.

Cluster commands transmitted:

Command	Description
0x05	<b>Recall Scene</b> Recalls a scene. The group address in the recall scene command payload is also used as the target for the command.



### 7.3.4. On/off Cluster (Client)

Notice: This cluster uses the binding table for managing command targets. When factory fresh, this cluster is bound to endpoint #1 to enable local control. This works even when the device is not commissioned yet. In addition, the device setup cluster on the Device Management endpoint can be used to configure the behavior of the cluster, i.e. which of the commands mentioned below will actually be sent, when the input state changes. Using the device setup cluster, you can configure this endpoint either to be used with a push-button (momentary switch, one stable position) or a rocker switch (two stable positions).

Cluster commands transmitted:

Command	Description
0x00	<b>Turn off</b> Turns the target device or group of devices off.
0x01	<b>Turn on</b> Turns the target device or group of devices on.
0x02	<b>Toggle</b> Toggles the target device state. Should not be used to control groups.

### 7.3.5. Level Control Cluster (Client)

Notice: This cluster uses the binding table for managing command targets. When factory fresh, this cluster is bound to endpoint #1 to enable local control. This works even when the device is not commissioned yet. In addition, the device setup cluster on the Device Management endpoint can be used to configure the behavior of the cluster, i.e. which of the commands mentioned below will actually be sent, when the input state changes. Using the device setup cluster, you can configure this endpoint either to be used with one or two push-buttons.

Cluster commands transmitted:

Command	Description
0x05	<b>Move with on/off</b> Moves the level either up or down at a specified rate. Maintains the companion on/off cluster's OnOff attribute.
0x07	<b>Stop with on/off</b> Stops any level change in progress due to a move, move to level, step or recall scene command. Maintains the companion on/off cluster's OnOff attribute.

## 7.4. Application Endpoint #3 – Secondary Dimmer Switch

This is a Finding & Binding initiator endpoint.

### 7.4.1. Basic Cluster (Server)

Please refer to section 7.6.1 for details.

### 7.4.2. Identify Cluster (Server)

Notice: The identify cluster instance on this endpoint does not provide any visual or audible feedback. It is mainly present to comply with standards requirements.

Attributes supported:

Attribute	Type	Description
0x0000	unsigned16	<b>IdentifyTime</b> The remaining time, in seconds, the device will be identifying itself. Notice that D1 currently does not provide any visual feedback in identify mode.

Cluster commands supported:

Command	Description
0x00	<b>Identify</b> Puts the device into identify mode, or terminates identify mode.
0x01	<b>Query Identify</b> Determines whether the device is currently identifying, and returns the remaining time if so.

### 7.4.3. Scenes Cluster (Client)

This cluster is available on devices running firmware version 1.04 and above.

Notice: This cluster does not use the binding table for managing command targets. Instead, recall scene command templates include the group address and scene number to recall. The device setup cluster on the Device Management endpoint can be used to configure the behavior of the cluster, i.e. which identifiers will be sent in the message body, when the input state changes. Using the device setup cluster, you can configure this endpoint either to be used with a push-button or a switch.

This cluster instance is intended for recalling scenes on the local and/or remote devices using the local inputs and is not bound when factory fresh.

Cluster commands transmitted:

Command	Description
0x05	<b>Recall Scene</b> Recalls a scene. The group address in the recall scene command payload is also used as the target for the command.

#### 7.4.4. On/off Cluster (Client)

Notice: This cluster uses the binding table for managing command targets. In addition, the device setup cluster on the Device Management endpoint can be used to configure the behavior of the cluster, i.e. which of the commands mentioned below will actually be sent, when the input state changes. Using the device setup cluster, you can configure this endpoint either to be used with a push-button (momentary switch, one stable position) or a rocker switch (two stable positions).

Cluster commands transmitted:

Command	Description
0x00	<b>Turn off</b> Turns the target device or group of devices off.
0x01	<b>Turn on</b> Turns the target device or group of devices on.
0x02	<b>Toggle</b> Toggles the target device state. Should not be used to control groups.

#### 7.4.5. Level Control Cluster (Client)

Notice: This cluster uses the binding table for managing command targets. In addition, the device setup cluster on the Device Management endpoint can be used to configure the behavior of the cluster, i.e. which of the commands mentioned below will actually be sent, when the input state changes. Using the device setup cluster, you can configure this endpoint either to be used with one or two push-buttons.

Cluster commands transmitted:

Command	Description
0x05	<b>Move with on/off</b> Moves the level either up or down at a specified rate. Maintains the companion on/off cluster's OnOff attribute.
0x07	<b>Stop with on/off</b> Stops any level change in progress due to a move, move to level, step or recall scene command. Maintains the companion on/off cluster's OnOff attribute.

## 7.5. Application Endpoint #4 – Metering

The metering endpoint provides information about energy consumption, instantaneous power, voltage, current, frequency, etc. This can be extended – upon customer request – with even more advanced features like waveform sampling, total harmonic distortion, or other quality measures.

The application endpoint exposes the following clusters:

Cluster	Direction	Description
0x0000	Inbound (Server)	<b>Basic</b> Provides basic information about the device, such as the manufacturer ID, vendor and model name, stack profile, ZCL version, production date, hardware revision etc. Allows a factory reset of attributes, without the device leaving the network.
0x0702	Inbound (Server)	<b>Metering</b> Provides metering information regarding energy and power.
0x0B04	Inbound (Server)	<b>Electrical Measurement</b> Provides electrical measurement figures, for example line frequency, active power, reactive power, apparent power, RMS voltage, RMS current, power factor, etc.

### 7.5.1. Basic Cluster (Server)

Please refer to section 7.6.1 for details.

### 7.5.2. Metering Cluster (Server)

Notice: This cluster uses the binding table for managing reporting targets. Currently, there is no default reporting configuration in place, so you need to configure reporting, if you want to receive feedback on energy/power changes.

Attributes supported:

Attribute	Type	Description
0x0000	unsigned48, read-only	<b>CurrentSummationDelivered</b> Indicates the current amount of electrical energy delivered to the load.
0x0001	unsigned48, read-only	<b>CurrentSummationReceived</b> Indicates the current amount of electrical energy generated by the attached device.
0x0002	unsigned48, read-only	<b>CurrentMaxDemandDelivered</b> Indicates the peak electrical power delivered to the load.
0x0003	unsigned48, read-only	<b>CurrentMaxDemandReceived</b> Indicates the peak electrical power generated by the attached device.
0x0200	bitmap8, read-only	<b>Status</b> Flags indicating current device status.
0x0300	enum8, read-only	<b>UnitOfMeasure</b> This is always kW.
0x0400	signed24, read-only, reportable	<b>InstantaneousDemand</b> The power currently delivered to the attached load, in Watts. A negative value indicates power generated by the attached device.

### 7.5.3. Electrical Measurement Cluster (Server)

Notice: This cluster uses the binding table for managing reporting targets. Currently, there is no default

reporting configuration in place, so you need to configure reporting, if you want to receive feedback on state changes.

Attributes supported:

Attribute	Type	Description
0x0000	bitmap32, read-only	<b>MeasurementType</b> Indicates the physical entities that this devices is able to measure.
0x0300	unsigned16, read-only	<b>Frequency</b> The frequency of the measured AC voltage (sine wave), in 0.001 Hz.
0x0304	signed32, read-only	<b>TotalActivePower</b> Total of delivered (positive) or generated (negative) active power, in W.
0x0305	signed32, read-only	<b>TotalReactivePower</b> Total of delivered (positive) or generated (negative) reactive power, in VAR.
0x0306	unsigned32, read-only	<b>TotalApparentPower</b> Total of delivered (positive) or generated (negative) apparent power, in VA.
0x0505	unsigned16, read-only	<b>RMSVoltage (L1)</b> Phase L1: RMS voltage.
0x0508	unsigned16, read-only	<b>RMSCurrent (L1)</b> Phase L1: RMS current.
0x050B	signed16, read-only	<b>ActivePower (L1)</b> Phase L1: Delivered (positive) or generated (negative) active power, in W.
0x050E	signed16, read-only	<b>ReactivePower (L1)</b> Phase L1: Delivered (positive) or generated (negative) reactive power, in VAR.
0x050F	unsigned16, read-only	<b>ApparentPower (L1)</b> Phase L1: Delivered (positive) or generated (negative) apparent power, in VA.
0x0510	signed8, read-only	<b>Powerfactor (L1)</b> Phase L1: Power factor of the attached load, in 0.01 units. Positive values indicate an inductive load (L), negative values a capacitive load (C), close to zero values a resistive load (R) and close to 1.00 purely capacitive/inductive loads.

## 7.6. Application Endpoint #232 – Device Management

This endpoint provides device management functions using standard ZigBee foundation paradigms and the ZigBee Cluster Library [R4]. You may use the standard ZCL frames to enumerate, read and write attributes, configure attribute reporting, invoke commands, etc.

The application endpoint exposes the following clusters:

Cluster	Direction	Description
0x0000	Inbound (Server)	<b>Basic</b> Provides basic information about the device, such as the manufacturer ID, vendor and model name, stack profile, ZCL version, production date, hardware revision etc. Allows a factory reset of attributes, without the device leaving the network.
0x0003	Outbound (Client) <sup>30</sup>	<b>Identify</b> Allows to identify targets during Finding & Binding push-button commissioning.
0x0015	Inbound (Server)	<b>Commissioning</b> Offers fine-grained commissioning options, for example, configuring a certain short address, channel mask, concentrator setup etc. This cluster is rarely used.
0x0019	Outbound (Client)	<b>OTA Upgrade</b> Pull-oriented firmware upgrade. Searches the network for mating servers and allows the server to control all stages of the upgrade process, including which image to download, when to download, at what rate and when to install the downloaded image.
0xFC00	Inbound (Server)	<b>Device Setup</b> This is a manufacturer-specific cluster used for basic device setup. For example, it can be used to assign physical inputs to endpoints and to control the behaviour of inputs (i.e. permanent switches, push-button switches, normally open vs. normally closed, on/off, level control or scene selection, etc.)

### 7.6.1. Basic Cluster (Server)

The basic cluster might be accessible via more than one endpoint. Most of its attributes are singleton attributes, i.e. all instances of the cluster share the same attribute value storage.

Attributes supported:

Attribute	Type	Description
0x0000	unsigned8, read-only	<b>ZCLVersion</b> The version of the cluster library
0x0001	unsigned8, read-only	<b>ApplicationVersion</b> The application version
0x0002	unsigned8, read-only	<b>StackVersion</b> The stack version
0x0003	unsigned8, read-only	<b>HWVersion</b> Specifies the hardware revision number
0x0004	string, read-only	<b>ManufacturerName</b> "ubisys"
0x0005	string, read-only	<b>ModelIdentifier</b> "D1 (5503)" or "D1-R (5603)"
0x0006	string, read-only	<b>DateCode</b> "YYYYMMDD-XX-FBV", where YYYY = year, MM = month, DD = day of production (hardware), XX = production facility, V = factory block version. For example, "20130411-DE-FB0" refers to a device built April 11, 2013 in Germany and programmed with factory block format version 0.

<sup>30</sup> Since application version 1.04. Prior, the server side of identify was available.

0x0007	enum8, read-only	<b>PowerSource</b> Always set to mains-powered, single phase (regardless of the connected supply voltage)
0x0008	enum8, read-only	<b>GenericDeviceClass</b> <sup>31</sup> Added for backwards compatibility with ZigBee Light Link. Ignore. Always set to invalid value.
0x0009	enum8, read-only	<b>GenericDeviceType</b> <sup>31</sup> Added for backwards compatibility with ZigBee Light Link. Ignore. Always set to invalid value.
0x000A	raw binary, read-only	<b>GenericProductCode</b> <sup>31</sup> Added for backwards compatibility with ZigBee Light Link. Ignore. Always empty
0x000B	string, read-only	<b>GenericProductURL</b> <sup>31</sup> Added for backwards compatibility with ZigBee Light Link. Ignore. Always empty
0x0010	string, persistent	<b>LocationDescription</b> Empty string by default. Might be set by commissioning software during installation
0x0011	unsigned8, persistent	<b>PhysicalEnvironment</b> "Unspecified" by default. Might be set by commissioning software during installation
0x4000	string, read-only	<b>SWBuildID</b> <sup>31</sup> Firmware Build ID. Added for backwards compatibility with ZigBee Light Link. Ignore. Always empty. Refer to the application's firmware image version as reported by OTA cluster

Cluster commands supported:

Command	Description
0x00	<b>Reset to factory defaults.</b> Restores the values of all attributes of all clusters across all endpoints to their factory fresh default settings. Does not affect network settings or bindings. Notice: In earlier versions, up to and including version 1.06, the command did actually behave like a leave command with factory reset. This command has been deprecated and is no longer supported since version 1.07. Use <code>mgmt_leave_req</code> , instead.

### 7.6.2. Identify Cluster (Client)

The client side of the identify cluster on this endpoint is used for push-button commissioning.

Cluster commands transmitted:

Command	Description
0x01	<b>Query Identify</b> This command is broadcast during push-button commissioning to identify suitable binding targets. Once target devices are selected, they will be queried for matching descriptors.

### 7.6.3. Commissioning Cluster (Server)

This implementation supports all attributes and most commands. However, the cluster has limited value. It is rarely used and might be removed in the future.

### 7.6.4. Over-the-Air Upgrade Cluster (Client)

The image type for D1 is 0x7B01, for D1-R it is 0x7B08. You may request the latest firmware in ZigBee OTA image format to upgrade devices in the field using your own OTA server and back-end. If

<sup>31</sup> Since application version 1.07

you operate the universal dimmer D1/D1-R together with the ZigBee/Ethernet Gateway ubisys G1, the latest firmware for D1 and D1-R will always be available automatically and you do not need to request it explicitly.

### 7.6.5. Device Setup Cluster (Server)

This cluster is manufacturer-specific and allows to change advanced device setup options, which are not covered by standard clusters defined in the ZigBee Cluster Library.

Attributes supported:

Attribute	Type	Description
0x0000	array of data8, persistent, preserved <sup>32</sup>	<b>InputConfigurations</b> This array of 8-bit data holds exactly one entry per physical device input and allows disabling the input or inverting the “normal” signal level (normally closed vs. normally open).
0x0001	array of raw data, persistent, preserved <sup>32</sup>	<b>InputActions</b> This array of raw data strings maps physical inputs to application endpoints on the device (for example, an on/off switch application) and translates level changes to appropriate cluster commands (e.g. on/off/toggle or move/stop).

#### 7.6.5.1. InputConfigurations Attribute

This attribute is an array (ZCL data type 0x48) of 8-bit data (ZCL data type 0x08).

It is readable and writable and retains its value across reboots (persistent storage); when written the size of the attribute is not allowed to change, and the elements must be of the same type “8-bit data” (0x08). Each physical device input line has a one-to-one relation to a slot in this array.

For D1 and D1-R this relation is as follows:

Element #	Description
0x0000	<b>Configuration options for high-voltage physical input #1</b> Defines the configuration for the physical input marked with a switch symbol and the digit “1”. In case of D1, this is the white wire. Factory default value: 0x00
0x0001	<b>Configuration options for high-voltage physical input #2</b> Defines the configuration for the physical input marked with a switch symbol and the digit “2”. In case of D1, this is the grey wire. Factory default value: 0x00

Each element can take a combination of the following bit flags:

Flag	Bit(s)	Description
Disable	#7 (0x80)	When this bit is set, the input is disabled.
Invert	#6 (0x40)	Determines the “active” level. The default is active-high, meaning that a high voltage level (within 10% of the supply voltage) translates to an active input, and a low voltage level translates to an inactive signal. If this bit is set, the input is “active-low”, instead. For normally open circuits, leave this bit clear; for normally closed circuits make sure this bit

<sup>32</sup> Since application version 1.16, this attribute is preserved across normal factory resets; a full factory reset will restore the factory-fresh setting



		is set.
RFU	#5...#0 (0x3F)	All other bits are reserved for future use and must be written as 0 and ignored when read.

### 7.6.5.2. InputActions Attribute

This attribute is an array (ZCL data type 0x48) of raw binary data (ZCL data type 0x41). It is readable and writable and retains its value across reboots (persistent storage); when written, the elements must be of the same type “raw data” (0x41).

This attribute contains instructions, a kind of micro-code, which allow flexible reconfiguration of the commands sent in response to activity on the physical inputs.

The array elements take the following form:

Field	Data Type	Description
InputAndOptions	unsigned8	A four-bit input index in the LSBs and four option flags in the MSBs.
Transition	unsigned8	Specifies the level transition to which this particular instruction applies.
Endpoint	unsigned8	Each instruction must be assigned to a suitable source endpoint in the local device. Acceptable endpoints for D1/D1-R: Endpoints #2 and #3.
ClusterID	unsigned16	The 16-bit cluster ID that will be used to transmit the ZCL command payload, e.g. 0x0006 for the on/off cluster, 0x0008 for level control, etc.
CommandTemplate	raw data	A variable length ZCL command template, which will be sent from the source endpoint specified above, using the cluster ID specified above. This can be a simple off (0x00), on (0x01) or toggle (0x02) command, or more complex commands. There might be code in the device that modifies the command template according to intrinsic rules or option flag settings. Notice that this is the raw payload and does not include a leading length byte.

#### InputAndOptions

This field contains the physical input number in the lower four bits and indexes into the InputConfigurations array. For example, a value of 0 identifies the first physical input. All other bits are reserved for future use and must be written as 0, and ignored when read.

For D1 and D1-R, this field may take the values 0 and 1.

#### Transition

The Transition field specifies when (i.e. under which conditions/circumstances) this particular instruction shall be executed.

Field	Bit(s)	Description
HasAlternate	#7 (0x80)	When this bit is set, there is another instruction that shall be executed in alternating order with the current one, each time the other conditions are met. In this case two entries must exist, one with the Alternate bit clear, and one with the Alternate bit set.
Alternate	#6 (0x40)	If this bit is set, this is the alternate instruction of a pair of two instructions which are executed in alternating order. If this flag is set, “HasAlternate” must be set as well.
RFU	#5...#4 (0x30)	These bits are reserved for future use and must be written as 0 and ignored when read.
Initial State	#3...#2 (0x0C)	These bits indicate the initial state of the input: 00b: Ignore: Don't care 01b: Pressed: The input was initially active (for less than a second) 10b: Kept pressed: The input has initially been active (for more than a second) 11b: Released. The input was initially inactive

Final State	#1...#0 (0x03)	These bits indicate the final state of the input: 00b: Ignore: Don't care 01b: Pressed: The input is active (for less than a second) 10b: Kept pressed: The input is still active (for more than a second) 11b: Released. The input is inactive
-------------	----------------	---

The “don't care” states are no real states, but rather placeholders for any other state. At any given time the input is either released, pressed or kept pressed.

### Endpoint

Identifies the source endpoint that will be used in the outgoing ZCL command frame. Notice, that you should only use an endpoint, which hosts a cluster with the appropriate cluster ID and role (client vs. server).

### ClusterID

Specifies the cluster ID that will be used in the outgoing ZCL command frame. The cluster ID must be an “operational” cluster, according to ZCL definitions.

### CommandTemplate

This is the template of a ZCL command frame payload, which will be sent to the target device once the instruction is selected for execution by the universal input logic unique to ubisys ZigBee devices. This can be a simple toggle command, or a more complex move or recall scene command, for example.

Notice that D1 and D1-R will use their binding tables to determine the target for the command. The command may be sent to one or more targets, each being a group (specified as a group address) or a single application instance (specified as IEEE EUI-64 address and endpoint number).

## Examples

This is the complete default configuration for D1 and D1-R, which is aimed at single push-button operation (momentary, one stable position):

```
41          element type: 0x41 (raw data)
08 00      element count: 0x0008 (8 entries)

06          element #1: six bytes
00          InputAndOptions: 0x00
07          Transition: pressed -> released
02          Source: Endpoint #2 (hosts primary on/off client cluster on D1)
06 00      Cluster ID: 0x0006 - on/off
02          ZCL Command Template: Toggle

08          element #2: eight bytes
00          InputAndOptions: 0x00
86          Transition: pressed -> kept pressed, has alternate
02          Source: Endpoint #2 (hosts primary level control client cluster on D1)
08 00      Cluster ID: 0x0008 - level control
05 00 32   ZCL Command Template: Move with on/off, upwards, rate = 50

08          element #3: eight bytes
00          InputAndOptions: 0x00
C6          Transition: pressed -> kept pressed, is alternate
02          Source: Endpoint #2 (hosts primary level control client cluster on D1)
08 00      Cluster ID: 0x0008 - level control
05 01 32   ZCL Command Template: Move with on/off, downwards, rate = 50

06          element #4: six bytes
00          InputAndOptions: 0x00
0B          Transition: kept pressed -> released
02          Source: Endpoint #2 (hosts primary level control client cluster on D1)
08 00      Cluster ID: 0x0008 - level control
07          ZCL Command Template: Stop with on/off

06          element #5: six bytes
01          InputAndOptions: 0x01
07          Transition: pressed -> released
03          Source: Endpoint #3 (hosts secondary on/off client cluster on D1)
06 00      Cluster ID: 0x0006 - on/off
02          ZCL Command Template: Toggle

08          element #6: eight bytes
01          InputAndOptions: 0x01
86          Transition: pressed -> kept pressed, has alternate
03          Source: Endpoint #3 (hosts secondary level control client cluster on D1)
08 00      Cluster ID: 0x0008 - level control
05 00 32   ZCL Command Template: Move with on/off, upwards, rate = 50

08          element #7: eight bytes
01          InputAndOptions: 0x01
C6          Transition: pressed -> kept pressed, is alternate
03          Source: Endpoint #3 (hosts secondary level control client cluster on D1)
08 00      Cluster ID: 0x0008 - level control
05 01 32   ZCL Command Template: Move with on/off, downwards, rate = 50

06          element #8: six bytes
01          InputAndOptions: 0x01
0B          Transition: kept pressed -> released
03          Source: Endpoint #3 (hosts secondary level control client cluster on D1)
08 00      Cluster ID: 0x0008 - level control
07          ZCL Command Template: Stop with on/off
```

This will allow to control a dimmer with one push button. A short press will toggle the light on/off, while a longer press starts dimming up or down (alternating) in order to allow adjusting the brightness with the button. Dimming stops, when the button is released.

The following example shows the input action micro-code for using two push-buttons to control a target dimmer (whether it be the local output or a remote device) in an up/down manner, i.e. one button is used to turn the light(s) on and dim brighter, the other one to turn the light(s) off and dim darker:

```

41          element type: 0x41 (raw data)
06 00      element count: 0x0006 (6 entries)

06          element #1: six bytes
00          InputAndOptions: 0x00
07          Transition: pressed -> released
02          Source: Endpoint #2 (hosts primary on/off client cluster on D1)
06 00      Cluster ID: 0x0006 - on/off
01          ZCL Command Template: Turn on

08          element #2: eight bytes
00          InputAndOptions: 0x00
06          Transition: pressed -> kept pressed
02          Source: Endpoint #2 (hosts primary level control client cluster on D1)
08 00      Cluster ID: 0x0008 - level control
05 00 32   ZCL Command Template: Move with on/off, upwards, rate = 50

06          element #3: six bytes
00          InputAndOptions: 0x00
0B          Transition: kept pressed -> released
02          Source: Endpoint #2 (hosts secondary level control client cluster on D1)
08 00      Cluster ID: 0x0008 - level control
07          ZCL Command Template: Stop with on/off

06          element #4: six bytes
01          InputAndOptions: 0x01
07          Transition: pressed -> released
02          Source: Endpoint #2 (hosts primary on/off client cluster on D1)
06 00      Cluster ID: 0x0006 - on/off
00          ZCL Command Template: Turn off

08          element #5: eight bytes
01          InputAndOptions: 0x01
06          Transition: pressed -> kept pressed
02          Source: Endpoint #2 (hosts primary level control client cluster on D1)
08 00      Cluster ID: 0x0008 - level control
05 01 32   ZCL Command Template: Move with on/off, downwards, rate = 50

06          element #6: six bytes
01          InputAndOptions: 0x01
0B          Transition: kept pressed -> released
02          Source: Endpoint #2 (hosts secondary level control client cluster on D1)
08 00      Cluster ID: 0x0008 - level control
07          ZCL Command Template: Stop with on/off

```

The ubisys Smart Home app for iOS and Android recognizes and generates a certain set of instructions, and lets users pick those easily. You may request an up-to-date list of optimized instructions by mailing [support@ubisys.de](mailto:support@ubisys.de) and asking for these recommended instructions for typical use cases. Avoid using other instructions.

## 7.7. Application Endpoint #242 – ZigBee Green Power

This endpoint provides the ZigBee Green Power feature according to the 2015 edition of the specification, i.e. including support for Green Power Devices with IEEE EUI-64 and bidirectional commissioning. The ZigBee traffic between Proxies and Sinks utilizes standard ZigBee foundation paradigms and the ZigBee Cluster Library [R4]. You may use the standard ZCL frames to enumerate, read and write attributes, invoke commands, etc.

The application endpoint exposes the following clusters:

Cluster	Direction	Description
0x0021	Inbound (Server)	<b>ZigBee Green Power Sink</b> Allows pairing the dimmer with ZigBee Green Power switches. The sink can directly receive Green Power frames but can also utilize proxies in the network.
0x0021	Outbound (Client)	<b>ZigBee Green Power Proxy</b> Allows sinks on the network to configure this device as a “Proxy”, i.e. access point for ZigBee Green Power Devices into the ZigBee mesh network.

### 7.7.1. Green Power Cluster (Server)

The server-side of the Green Power cluster provides the ZigBee Green Power Sink functionality, i.e. provides the ability to process Green Power frames. The device can receive those frames directly if they are in radio range; or it can process frames tunnelled over the ZigBee network via other Green Power Proxies. This implementation supports unidirectional and bidirectional<sup>33</sup> GPDs.

Attributes supported:

Attribute	Type	Description
0x0000	unsigned8, read-only	<b>gpsMaxSinkTableEntries</b> The number of sink table entries supported by this device
0x0001	extended raw binary, read-only, persistent	<b>SinkTable</b> Entries in the sink table create a pairing between the sink and a Green Power Device. For an operational pairing, one or more entries in the translation table are also required
0x0002	bitmap8	<b>gpsCommunicationMode</b> Determines the default communication mode between sink and proxies for new entries added by the sink to the sink table when paired with a GPD
0x0003	bitmap8	<b>gpsCommissioningExitMode</b> Specifies under which circumstances the sink should leave commissioning mode
0x0004	unsigned16	<b>gpsCommissioningWindow</b> Time, in seconds, before a commissioning session expires
0x0005	bitmap8, persistent	<b>gpsSecurityLevel</b> Determines the minimum security level a GPD is required to support as well as whether or not the Trust Center needs to be involved into the commissioning process
0x0006	bitmap24, read-only	<b>gpsFunctionality</b> Indicates Green Power features and building blocks supported by this device
0x0007	bitmap24, read-only	<b>gpsActiveFunctionality</b> Allows to disable certain Green Power features on this device
0x0020	bitmap8, persistent	<b>gpSharedSecurityKeyType</b> Determines the security key type to use for devices with bidirectional commissioning capabilities, i.e. out-of-the-box individual key, shared GP key, etc.

<sup>33</sup> Bidirectional communication is currently limited to the commissioning stage

0x0021	key128, persistent	<b>gpSharedSecurityKey</b> The 128-bit AES-CCM* key that is being used to secure Green Power data frames
0x0022	key128, persistent	<b>gpLinkKey</b> The 128-bit AES-CCM* key that is being used to deliver keying material to Green Power devices

Cluster commands supported:

Command	Description
0x00	<b>GP Notification</b> Tunnels GP frames from a Green Power Device to one or more sinks or groups of sinks
0x04	<b>GP Commissioning Notification</b> Tunnels GP frames from a Green Power Device to a sink in commissioning mode
0x05	<b>GP Sink Commissioning Mode</b> Makes the sink enter or leave commissioning mode for a particular endpoint or all endpoints
0x09	<b>GP Pairing Configuration</b> Creates, updates or removes pairings by modifying the sink and translation table entries accordingly
0x0A	<b>GP Sink Table Request</b> Allows to query the sink table for a certain Green Power Device or read out the table in chunks

Cluster commands transmitted:

Command	Description
0x01	<b>GP Pairing</b> Creates, updates or removes proxy table entries
0x02	<b>GP Proxy Commissioning Mode</b> Makes the proxy enter commissioning mode for a particular sink, or leave commissioning mode
0x06	<b>GP Response</b> Tunnels GP data frames from a sink to a bidirectional Green Power Device
0x0A	<b>GP Sink Table Response</b> Conveys a set of sink table entries to a management application

### 7.7.1.1. Green Power Device Interaction

#### Commissioning a Green Power Switch

The D1(-R) can be put in commissioning mode either by using a suitable commissioning tool (for example the ubisys Network Manager) or by instigating Finding & Binding as a target. Once in commissioning mode, the device is ready to pair with Green Power switches.

#### Supported Device Types

The dimmer can be paired with the following pre-defined Green Power Device types:

Device Type	Description
0x02	<b>On/off Switch</b> Default command set: on, off and toggle commands
0x03	<b>Level Control Switch</b> Default command set: move, step and stop commands (with and without on/off)
0x07	<b>Generic Switch</b> Default command set: press and release (up to eight buttons)

In addition, any Green Power device that sends at least one of the supported commands listed in the

next section can also be paired with the dimmer.

### Supported Green Power Commands

The following Green Power commands are supported by default translations:

Command	Description
0x10	Recall scene #1
0x11	Recall scene #2
0x12	Recall scene #3
0x13	Recall scene #4
0x14	Recall scene #5
0x15	Recall scene #6
0x16	Recall scene #7
0x17	Recall scene #8
0x18	Store scene #1
0x19	Store scene #2
0x1A	Store scene #3
0x1B	Store scene #4
0x1C	Store scene #5
0x1D	Store scene #6
0x1E	Store scene #7
0x1F	Store scene #8
0x20	Turn Off
0x21	Turn On
0x22	Toggle
0x30	Move up
0x31	Move down
0x32	Step up
0x33	Step down
0x34	Stop
0x35	Move up with on/off
0x36	Move down with on/off
0x37	Step up with on/off
0x38	Step down with on/off
0x69	Generic Press
0x6A	Generic Release

#### 7.7.1.2. Generic Switch Commissioning

This product provides enhanced support for latest generation Green Power generic switches with the ability to distinguish short (< 1 second) and long (> 1 second) presses. In fact, a generic switch behaves like a physical switch directly connected to the high-voltage input lines, resulting in a consistent user experience. Each contact of a switch is commissioned separately, such that the desired button layout can be achieved on any generic switch. First commission button A, then button B, then C and so forth. Depending on the number of commissioned contacts, the behaviour is different.

Number of Commissioned Contacts	Behavior
1	<p><b>Short Press</b> Toggles the light on and off</p> <p><b>Long Press</b> Dims the light up or down while pressed. The direction alternates on each subsequent press</p>

2	<b>Short Press Button A</b> Turns the light on <b>Long Press Button A</b> Dims the light up while pressed <b>Short Press Button B</b> Turns the light off <b>Long Press Button B</b> Dims the light down while pressed
3	<b>Press Button A</b> Turns the light on <b>Press Button B</b> Turns the light off <b>Press Button C</b> Dims the light up or down while pressed. The direction alternates on each subsequent press
4	<b>Press Button A</b> Turns the light on <b>Press Button B</b> Turns the light off <b>Press Button C</b> Dims the light up while pressed <b>Press Button D</b> Dims the light down while pressed

### 7.7.2. Green Power Cluster (Client)

The client-side of the Green Power cluster provides the ZigBee Green Power Proxy functionality, i.e. makes the device act as an “access point” for Green Power Devices (GPDs). This implementation supports unidirectional and bidirectional<sup>34</sup> GPDs.

Attributes supported:

Attribute	Type	Description
0x0010	unsigned8, read-only	<b>gppMaxProxyTableEntries</b> The number of proxy table entries supported by this device
0x0011	extended raw binary, read-only, persistent	<b>ProxyTable</b> Entries in the proxy table create a link between Green Power Devices and Green Power Sinks
0x0016	bitmap24, read-only	<b>gppFunctionality</b> Indicates Green Power features and building blocks supported by this device
0x0017	bitmap24, read-only	<b>gppActiveFunctionality</b> Allows to disable certain Green Power features on this device
0x0020	bitmap8, persistent	<b>gpSharedSecurityKeyType</b> Determines the security key type to use for devices with bidirectional commissioning capabilities, i.e. out-of-the-box individual key, shared GP key, etc.
0x0021	key128, persistent	<b>gpSharedSecurityKey</b> The 128-bit AES-CCM* key that is being used to secure Green Power data frames
0x0022	key128, persistent	<b>gpLinkKey</b> The 128-bit AES-CCM* key that is being used to deliver keying material to Green Power devices

Cluster commands supported:

<sup>34</sup> Bidirectional communication is currently limited to the commissioning stage



<b>Command</b>	<b>Description</b>
0x01	<b>GP Pairing</b> Creates, updates or removes proxy table entries
0x02	<b>GP Proxy Commissioning Mode</b> Makes the proxy enter commissioning mode for a particular sink, or leave commissioning mode
0x06	<b>GP Response</b> Tunnels GP data frames from a sink to a bidirectional Green Power Device
0x0B	<b>GP Proxy Table Request</b> Allows to query the proxy table for a certain Green Power Device or read out the table in chunks

Cluster commands transmitted:

<b>Command</b>	<b>Description</b>
0x00	<b>GP Notification</b> Tunnels GP frames from a Green Power Device to one or more sinks or groups of sinks
0x04	<b>GP Commissioning Notification</b> Tunnels GP frames from a Green Power Device to a sink in commissioning mode
0x0B	<b>GP Proxy Table Response</b> Conveys a set of proxy table entries to a sink or management application

## 8. PHYSICAL DIMENSIONS

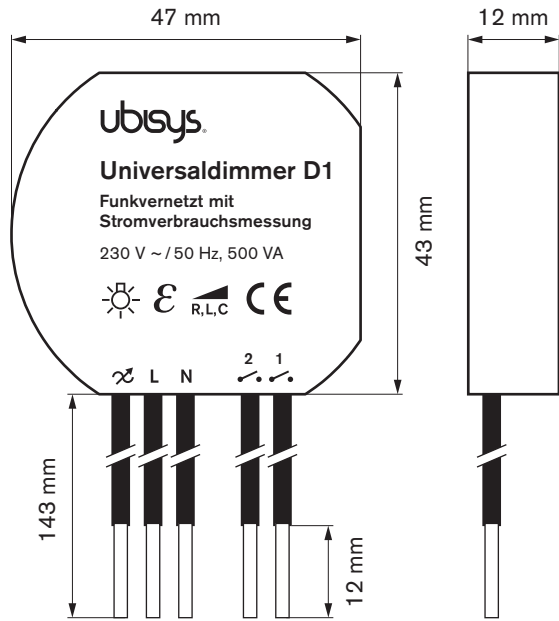


Figure 1: Flush-mount In-wall ZigBee Universal Dimmer D1 – Dimensions

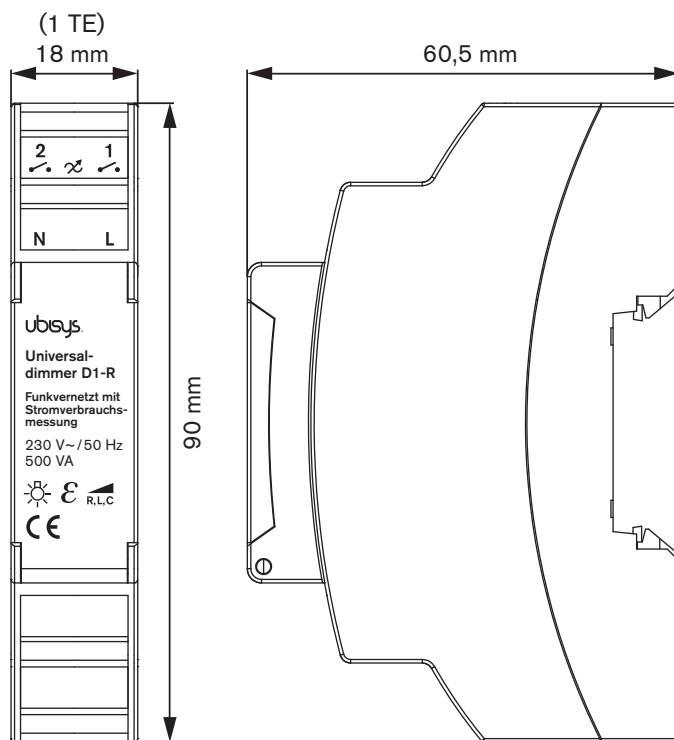


Figure 2: Rail-mount ZigBee Universal Dimmer D1-R – Dimensions

## 9. ORDERING INFORMATION

The following tables list the product variants available. Use the specified order code for your orders. Orders for products sold under different brand names need to be placed with the respective vendor.

For any customized versions, please contact ubisys sales. OEM customers may order these products with the dimming mode pre-configured to either “automatic”, “leading edge” or “trailing edge”.

Vendor/Brand	Order Code	Description
ubisys	1045	ZigBee Universal Dimmer D1 (in-wall, flush-mount)
ubisys	1137	ZigBee Universal Dimmer D1-R (rail mount)
Neonlite/MEGAMAN	ZBM01d	ingenium® ZB Wireless Dimming Module

## 10. GENERAL TERMS & CONDITIONS OF BUSINESS

When placing your order you agree to be bound by our General Terms & Conditions of Business, “Allgemeine Geschäftsbedingungen”, which are available for download here:  
<http://www.ubisys.de/en/smarthome/terms.html>

## 11. DECLARATION OF CONFORMITY



We – ubisys technologies GmbH, Neumannstraße 10, 40235 Düsseldorf, Germany – declare under our sole responsibility that the ubisys ZigBee Dimmers D1 and D1-R with trade names and order codes as detailed in section 9, to which this declaration relates, are in conformity with the following directives and standards:

Directive/Standard	Description/Scope
2014/53/EU	Radio Equipment Directive (RED)
2014/30/EU	Electromagnetic Compatibility Directive (EMC)
2014/35/EU	Low Voltage Directive (LVD)
2012/19/EU	Waste Electrical and Electronic Equipment Directive (WEEE)
2011/65/EU	Restriction of Hazardous Substances Directive (RoHS)
EN 300 328 V2.2.2	ERM; Wideband transmission systems; 2.4 GHz ISM band
EN 300 440 V2.2.1	ERM; Radio equipment to be used in the 1 GHz to 40 GHz frequency range
EN 301 489-1 V2.1.1	EMC
IEEE 802.15.4:2020	IEEE Standard 802 – Part 15.4: Low-Rate Wireless Personal Area Networks (LR-WPANs)
ZigBee 3.0	ZigBee 2017 with Green Power

Düsseldorf, Germany

**Place of issue**

Dr.-Ing. Arasch Honarbacht

**Full name of Authorized Signatory**

**Signature**

September 16, 2021

**Date of issue**

Managing Director, Head of Research & Development

**Title of Authorized Signatory**

ubisys.  
ubisys technologies GmbH  
Neumannstr. 10  
40235 Düsseldorf  
Germany

**Seal**

## 12. REVISION HISTORY

Revision	Date	Remarks
1.0	11/25/2014	Initial Public Version
1.1	01/06/2015	Includes documentation of ZigBee Network Steering and Finding & Binding (“EZ-mode”), as well as information on scenes cluster client instances in firmware revisions 1.05 and above.
1.2	02/13/2015	Feature overview now mentions a few input configuration options and overload/overcurrent detection.
1.3	08/12/2015	Improved network steering in firmware revision 1.06 (toggle permit joining) and shortcut to factory reset by 10-second extended press.
1.4	11/02/2015	Starting with firmware revision 1.07, when the device is factory reset, it will broadcast a network leave indication
1.5	11/11/2015	Updated the ZDO description to include enhancements and additions made for ZigBee 2015 platform compliance.
1.6	11/18/2015	Enhancements made in firmware revision 1.08 include added support for ZigBee Green Power; new commands and attributes required by the ZigBee Lighting & Occupancy specification and further changes to align with ZigBee 3.0 requirements.
1.7	09/13/2016	Updated to ZigBee 3.0 Certified Product in application firmware 1.10; added information about the power-cycle sequence factory reset in application firmware 1.11. Corrected description of element data type for switch configuration (should have been 0x41 instead of 0x48). Added clarification for write accesses to AC dimmer setup cluster, mode attribute.
1.8	12/21/2016	Power-cycle factory reset sequence enhanced in application firmware 1.12 to support dimmer mode configuration; Connected light will flash once after joining a network from scratch in application firmware 1.12
1.9	05/10/2017	Description of dimmer setup operational status corrected
2.0	06/12/2017	Starting with application firmware 1.14, the dimming mode attribute is now preserved across factory resets and OEM customers may place orders with preconfigured dimming mode. Added more information pertaining to Green Power support

2.1	02/12/2018	Starting with application firmware 1.15, the application version in all endpoint simple descriptors with a profile ID of 0x0104 is set to "1" (previously it was set to "0"). Starting with application firmware 1.16, the input configuration and input actions attributes are preserved across factory resets and customers may place orders with preconfigured input actions.
2.2	06/28/2021	Starting with application firmware 1.147, a minimum on level may be specified when an on/toggle command causes the light to turn on. This assures a minimum light output when the light is being turned on and aims to provide a better user experience.
2.3	09/16/2021	Update Declaration of Conformity

## 13. CONTACT

**UBISYS TECHNOLOGIES GMBH**  
NEUMANNSTRASSE 10  
40235 DÜSSELDORF  
GERMANY

T: +49 (211) 54 21 55 - 00

F: +49 (211) 54 21 55 - 99

[www.ubisys.de](http://www.ubisys.de)

[info@ubisys.de](mailto:info@ubisys.de)